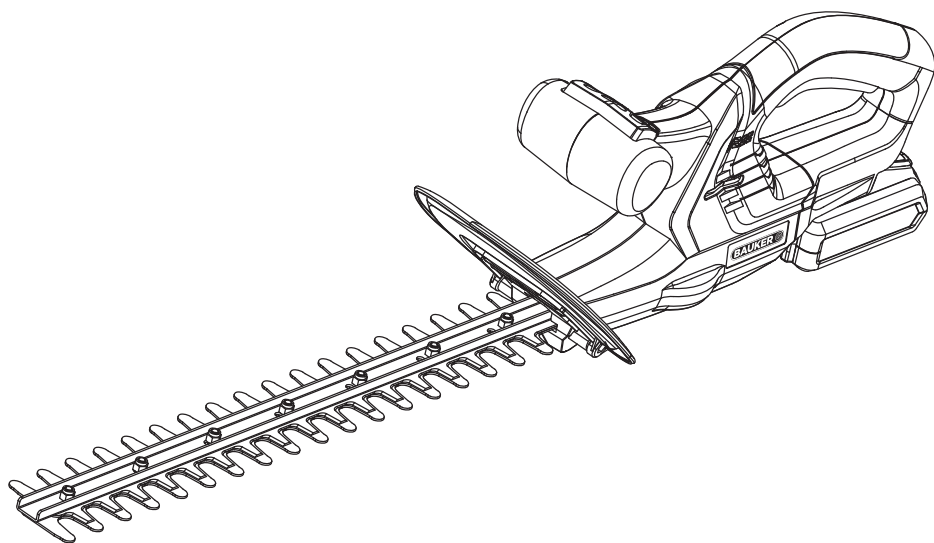


**BAUKER** 

**CHT18LW**



**18V CORDLESS HEDGE TRIMMER  
ORIGINAL INSTRUCTION MANUAL**

# GENERAL POWER TOOL SAFETY WARNINGS



## **WARNING! Read all safety warnings and all instructions.**

Failure to follow the warnings and instructions may result in electric shock, fire and/or serious injury.

## **Save all warnings and instructions for future reference.**

The term "power tool" in the warnings refers to your mains-operated (corded) power tool or battery-operated (cordless) power tool.

## **IMPORTANT**

### **READ CAREFULLY BEFORE USE**

### **KEEP FOR FUTURE REFERENCE**

#### **1) Work area safety**

- a) **Keep work area clean and well lit.** Cluttered or dark areas invite accidents.
- b) **Do not operate power tools in explosive atmospheres, such as in the presence of flammable liquids, gases or dust.** Power tools create sparks which may ignite the dust or fumes.
- c) **Keep children and bystanders away while operating a power tool.** Distractions can cause you to lose control.

#### **2) Electrical safety**

- a) **Power tool plugs must match the outlet. Never modify the plug in any way. Do not use any adapter plugs with earthed (grounded) power tools.** Unmodified plugs and matching outlets will reduce risk of electric shock.
- b) **Avoid body contact with earthed or grounded surfaces, such as pipes, radiators, ranges and refrigerators.** There is an increased risk of electric shock if your body is earthed or grounded.
- c) **Do not expose power tools to rain or wet conditions.** Water entering a power tool will increase the risk of electric shock.
- d) **Do not abuse the cord. Never use the cord for carrying, pulling or unplugging the power tool.** Keep cord away from heat, oil, sharp edges or moving parts. Damaged or entangled cords increase the risk of electric shock.
- e) **When operating a power tool outdoors, use an extension cord suitable for outdoor use.** Use of a cord suitable for outdoor use reduces the risk of electric shock.

f) **If operating a power tool in a damp location is unavoidable, use a residual current device (RCD) protected supply.** Use of an RCD reduces the risk of electric shock.

### 3) Personal safety

- a) **Stay alert, watch what you are doing and use common sense when operating a power tool. Do not use a power tool while you are tired or under the influence of drugs, alcohol or medication.** A moment of inattention while operating power tools may result in serious personal injury.
- b) **Use personal protective equipment. Always wear eye protection.** Protective equipment such as dust mask, non-skid safety shoes, hard hat, or hearing protection used for appropriate conditions will reduce personal injuries.
- c) **Prevent unintentional starting. Ensure the switch is in the off-position before connecting to power source and/or battery pack, picking up or carrying the tool.** Carrying power tools with your finger on the switch or energising power tools that have the switch on invites accidents.
- d) **Remove any adjusting key or wrench before turning the power tool on.** A wrench or a key left attached to a rotating part of the power tool may result in personal injury.
- e) **Do not overreach. Keep proper footing and balance at all times.** This enables better control of the power tool in unexpected situations.
- f) **Dress properly. Do not wear loose clothing or jewellery. Keep your hair, clothing and gloves away from moving parts.** Loose clothes, jewellery or long hair can be caught in moving parts.
- g) **If devices are provided for the connection of dust extraction and collection facilities, ensure these are connected and properly used.** Use of dust collection can reduce dust-related hazards.

### 4) Power tool use and care

- a) **Do not force the power tool. Use the correct power tool for your application.** The correct power tool will do the job better and safer at the rate for which it was designed.
- b) **Do not use the power tool if the switch does not turn it on and off.** Any power tool that cannot be controlled with the switch is dangerous and must be repaired.
- c) **Disconnect the plug from the power source and/or the battery pack from the power tool before making any adjustments,**

**changing accessories, or storing power tools.** Such preventive safety measures reduce the risk of starting the power tool accidentally.

- d) **Store idle power tools out of the reach of children and do not allow persons unfamiliar with the power tool or these instructions to operate the power tool.** Power tools are dangerous in the hands of untrained users.
- e) **Maintain power tools. Check for misalignment or binding of moving parts, breakage of parts and any other condition that may affect the power tool's operation.** If damaged, have the power tool repaired before use. Many accidents are caused by poorly maintained power tools.
- f) **Keep cutting tools sharp and clean.** Properly maintained cutting tools with sharp cutting edges are less likely to bind and are easier to control.
- g) **Use the power tool, accessories and tool bits etc. in accordance with these instructions, taking into account the working conditions and the work to be performed.** Use of the power tool for operations different from those intended could result in a hazardous situation.

## 5) Battery tool use and care

- a) **Recharge only with the charger specified by the manufacturer.** A charger that is suitable for one type of battery pack may create a risk of fire when used with another battery pack.
- b) **Use power tools only with specifically designated battery packs.** Use of any other battery packs may create a risk of injury and fire.
- c) **When battery pack is not in use, keep it away from other metal objects, like paper clips, coins, keys, nails, screws or other small metal objects, that can make a connection from one terminal to another.** Shorting the battery terminals together may cause burns or a fire.
- d) **Under abusive conditions, liquid may be ejected from the battery; avoid contact. If contact accidentally occurs, flush with water.** If liquid contacts eyes, additionally seek medical help. Liquid ejected from the battery may cause irritation or burns.

## 6) Service

- a) **Have your power tool serviced by a qualified repair person using only identical replacement parts.** This will ensure that the safety of the power tool is maintained.

## Hedge Trimmer Safety Warnings

- 1. Keep all parts of the body away from the cutter blade. Do not remove cut material or hold material to be cut when blades are moving. Make sure the switch is off when clearing jammed material.** A moment of inattention while operating the hedge trimmer may result in serious personal injury.
- 2. Carry the hedge trimmer by the handle with the cutter blade stopped. When transporting or storing the hedge trimmer always fit the cutting device cover.** Proper handling of the hedge trimmer will reduce possible personal injury from the cutter blades.
- 3. Hold the power tool by insulated gripping surfaces only, because the cutter blade may contact hidden wiring.** Cutter blades contacting a "live" wire may make exposed metal parts of the power tool "live" and could give the operator an electric shock.
4. Check the hedge for foreign objects, e.g. wire fences.
5. Use both hands when operating the hedge trimmer. Using one hand could cause loss of control and result in serious personal injury.

## Safety Warnings for battery pack

- 1) Do not dismantle, open or shred cells or battery pack.**
- 2) Do not short-circuit a battery pack. Do not store battery packs haphazardly in a box or drawer where they may short-circuit each other or be short-circuited by conductive materials.** When battery pack is not in use, keep it away from other metal objects, like paper clips, coins, keys, nails, screws or other small metal objects, that can make a connection from one terminal to another. Shorting the battery terminals together may cause burns or a fire.
- 3) Do not expose battery pack to heat or fire. Avoid storage in direct sunlight.**
- 4) Do not subject battery pack to mechanical shock.**
- 5) In the event of battery leaking, do not allow the liquid to come into contact with the skin or eyes. If contact has been made, wash the affected area with copious amounts of water and seek medical advice.**
- 6) Seek medical advice immediately if a cell or battery pack has been swallowed.**
- 7) Keep battery pack clean and dry.**
- 8) Wipe the battery pack terminals with a clean dry cloth if they become dirty.**
- 9) Battery pack needs to be charged before use. Always refer to**

- this instruction and use the correct charging procedure.
- 10) Do not maintain battery pack on charge when not in use.
  - 11) After extended periods of storage, it may be necessary to charge and discharge the battery pack several times to obtain maximum performance.
  - 12) Battery pack gives its best performance when it is operated at normal room temperature ( $20^{\circ}\text{C} \pm 5^{\circ}\text{C}$ ).
  - 13) When disposing of battery packs, keep battery packs of different electrochemical systems separate from each other.
  - 14) Recharge only with the charger specified by POSITEC. Do not use any charger other than that specifically provided for use with the equipment. A charger that is suitable for one type of battery pack may create a risk of fire when used with another battery pack.
  - 15) Do not use any battery pack which is not designed for use with the equipment.
  - 16) Keep battery pack out of the reach of children.
  - 17) Retain the original product literature for future reference.
  - 18) Remove the battery from the equipment when not in use.
  - 19) Dispose of properly.

## SYMBOLS



To reduce the risk of injury, user must read instruction manual



Warning



Wear ear protection



Wear eye protection



Wear dust mask



Do not expose to rain



**DANGER** – Keep hands away from blade



Li-Ion



Li-Ion battery. This product has been marked with a symbol relating to 'separate collection' for all battery packs and battery pack. It will then be recycled or dismantled in order to reduce the impact on the environment. Battery packs can be hazardous for the environment and for human health since they contain hazardous substances.



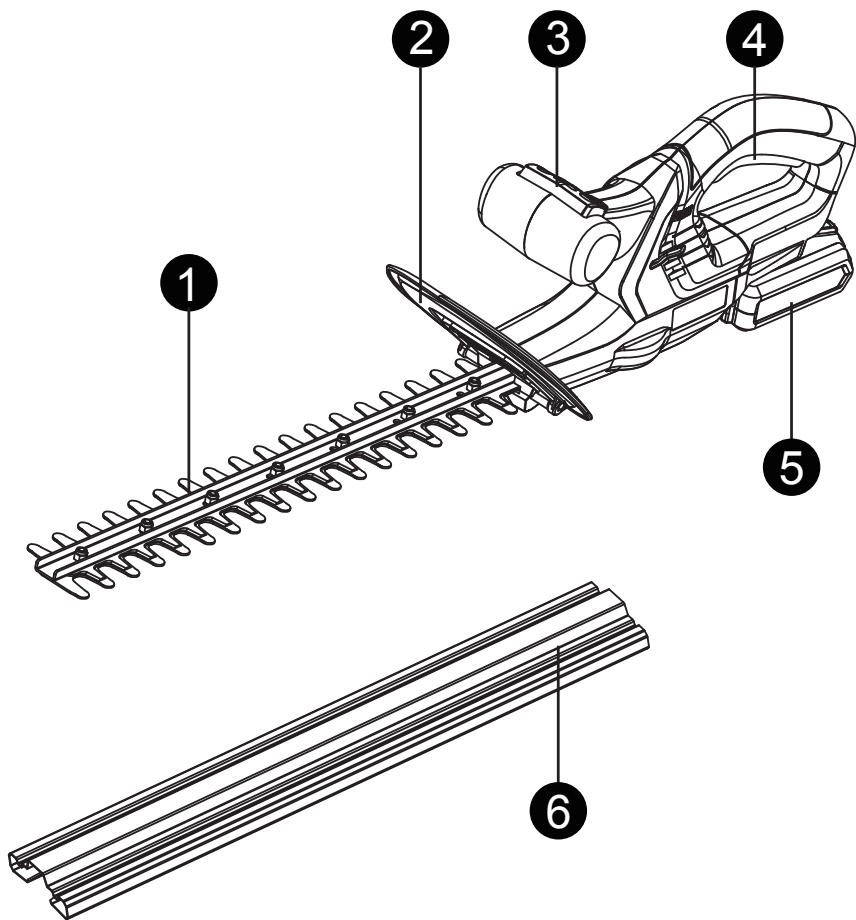
Do not expose to rain or water



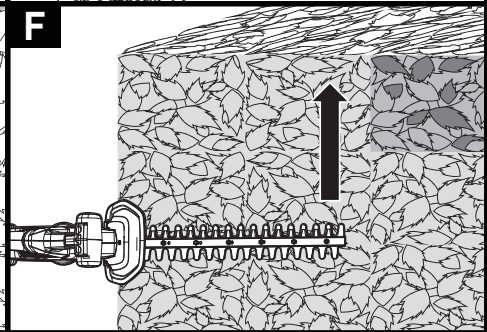
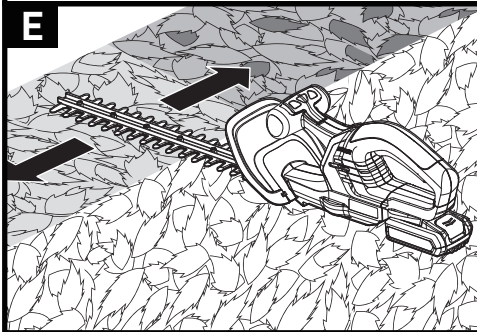
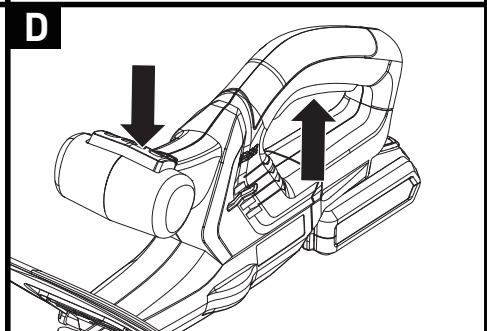
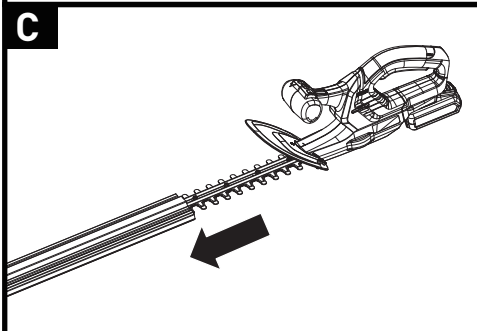
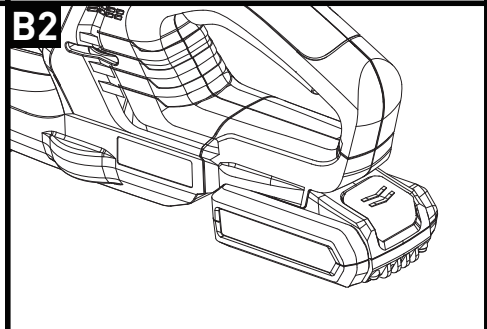
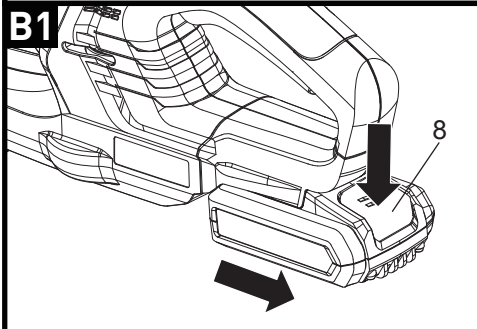
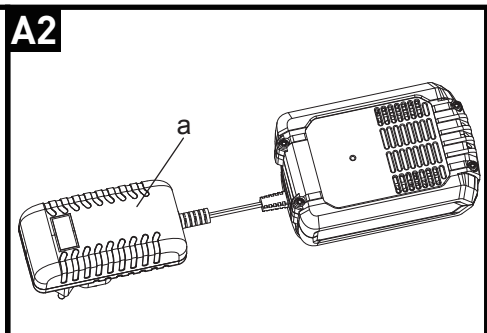
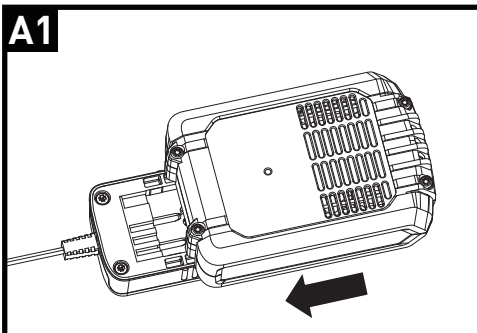
Do not burn



Waste electrical products must not be disposed of with household waste. Please recycle where facilities exist. Check with your local authorities or retailer for recycling advice.







# COMPONENT LIST

1. **BLADE**
2. **SAFETY GUARD**
3. **FRONT HANDLE WITH SAFETY SWITCH**
4. **ON/OFF SWITCH**
5. **BATTERY PACK**
6. **BLADE SHEATH**
7. **CHARGER (SEE A1)**
8. **BATTERY PACK RELEASE BUTTON (SEE B1)**

**Not all the accessories illustrated or described are included in standard delivery.**

## TECHNICAL DATA

**Type CHT18LW (CHT- designation of machinery, representative of Hedge Trimmer)**

Charger voltage	220-240V~ 50/60Hz
Voltage	18V 
No load speed	2800/min
Cutting Diameter	16mm
Cutting length	510mm
Machine weight	2.23kg
Battery capacity	1.5 Ah Li-ion
Charging time	1hr

## ACCESSORIES

Safety Guard	1
Blade Sheath	1
Charger (ACG118W)	1
Battery Pack (ABP118W1)	1

We recommend that you purchase your accessories listed in the above list from the same store that sold you the lawn trimmer. Refer to the accessory packaging for further details. Store personnel can assist you and offer advice.

# Noise Data

A weighted sound pressure

$L_{pA} = 61.3\text{dB(A)}$

$K_{pA} = 3.0\text{dB(A)}$

A weighted sound power

$L_{WA} = 80.3\text{dB(A)}$

$K_{WA} = 3.0\text{dB(A)}$

**Wear ear protection.** 

## Vibration Information

Vibration total values (triax vector sum) determined according to EN 60745:


Vibration emission value:

Rear handle  $a_h = 0.690\text{m/s}^2$

Front handle  $a_h = 0.811\text{m/s}^2$

Uncertainty  $K = 1.5\text{m/s}^2$

The declared vibration total value may be used for comparing one tool with another, and may also be used in a preliminary assessment of exposure.

 **WARNING!** The vibration emission value during actual use of the power tool can differ from the declared value depending on the ways in which the tool is used dependant on the following examples and other variations on how the tool is used:

How the tool is used and the materials being cut or drilled.


The tool being in good condition and well maintained

The use the correct accessory for the tool and ensuring it is sharp and in good condition.

The tightness of the grip on the handles and if any anti vibration accessories are used.

And the tool is being used as intended by its design and these instructions.

**This tool may cause hand-arm vibration syndrome if its use is not adequately managed.**

 **WARNING!** To be accurate, an estimation of exposure level in the actual conditions of use should also take account of all parts of the operating cycle such as the times when the tool is switched off and when it is running idle but not actually doing the job. This may significantly reduce the exposure level over the total working period.

Helping to minimise your vibration exposure risk.

ALWAYS use sharp chisels, drills and blades

Maintain this tool in accordance with these instructions and keep well lubricated (where appropriate)

If the tool is to be used regularly then invest in anti vibration accessories.

Plan your work schedule to spread any high vibration tool use across a number of days.

# OPERATING INSTRUCTIONS



**NOTE:** Before using the tool, read the instruction book carefully.

## Intended Use

The machine is intended for cutting and trimming hedges and bushes in domestic use.

## 1. CHARGING THE BATTERY



**WARNING!** The charger and battery pack are specially designed to work together so do not attempt to use any other devices. Never insert or allow metallic objects into your charger or battery pack connections because of an electrical failure and hazard will occur.

## BEFORE USING YOUR CORDLESS HEDGE TRIMMER, YOU MUST FULLY CHARGE THE BATTERY

Your battery pack is UNCHARGED and you must charge once before use.

The battery charger supplied is matched to the Li-ion battery installed in the machine. Do not use another battery charger.

In a warm environment or after heavy use, the battery pack may become too hot to permit charging. Allow time for the battery to cool down before recharging.

When the battery is charged for the first time and after prolonged storage, the battery will only accept approximately 60% charge. However, after several charge and discharge cycles the battery will accept a 100% charge.

## 2. HOW TO CHARGE THE BATTERY (SEE FIG.A1 A2)

Connect the battery charger to the power supply and the light (a) will be green. Slide the battery pack into the charger to make the connections (A1). The light (a) will turn red to show charging has started. A discharged battery at normal ambient temperature will take approximately 1 hours to reach full charge. When charging is completed the light (a) will turn green.



**WARNING!** When battery charge runs out after continuously use or exposure to direct sunlight or heat, allow time for the tool to cool down before re-charging to achieve the full charge.

## 3. TO REMOVE OR INSTALL BATTERY PACK (See FIG.B1,B2)

Depress the Battery pack release button (8) to release battery pack from your hedge trimmer. After recharging, insert the battery pack into hedge trimmer's battery port. A simple push and slight pressure will be sufficient.



**WARNING! DO NOT USE THE PRODUCT WITHOUT ATTACHING THE GUARD.**

## OPERATION

### STARTING AND STOPPING

#### BEFORE STARTING YOUR HEDGE TRIMMER

Remove blade sheath.

#### TO START YOUR HEDGE TRIMMER (See FIG.D)

Your trimmer is equipped with two switch levers (3 & 4). Both switch levers need to be pressed for the hedge trimmer to start. Depress and hold safety handle switch (3) and press on/off switch (4).

#### TO STOP YOUR HEDGE TRIMMER

Move hedge trimmer away from cutting area before stopping.

To stop, release either the safety handle switch (3) or on/off switch (4), the Trimmer will stop almost immediately.



**WARNING!** If any parts are missing, damaged or broken, do not operate your hedge trimmer until all damaged parts have been replaced or repaired. Failure to do so could result in serious personal injury.

### **IMPORTANT TIPS FOR TRIMMING HEDGES**

- Assume secure posture and hold Trimmer with both hands. If using a step ladder make sure it is securely located and if working high tie the ladder to the thicker inner branches of the hedge.
- Ensure no people or animals are in the work area.

### **PAY ATTENTION TO USE YOUR HEDGE TRIMMER**

- Inspect the area to be cut before each use, remove objects which can be thrown or become entangled in the cutting blades.
- Always hold the Hedge trimmer with both hands and with the blade away from you before turning it on.
- When trimming new growth, use a wide sweeping action so that the stems are fed directly into the blade.
- Allow the cutting blades to reach full speed before entering the material to be cut.
- Always work in the direction going away from people and solid objects such as walls ,large stones, trees, vehicles etc.
- If the blade jam, immediately stop the Hedge trimmer. Remove the battery pack and clear the jammed things from the cutting blade.
- Wear gloves when trimming thorny or prickly growth.
- Move the Hedge trimmer to feed the branched directly into the blade cutting edges.
- Do not try to cut stems that are too large to feed into the cutting blades.

### **TOP CUTTING (See FIG.E)**

Use a wide sweeping motion. A slight downward tilt of the cutting blades in the direction of motion gives the best cutting results.

### **SIDE CUTTING(See FIG.F)**

When trimming the sides of the hedge, begin at the bottom and cut upwards, tapering the hedge inward at the top. This shape will expose more of the hedge, resulting in a more uniformed growth.

## **MAINTENANCE AND STORE**



**WARNING!** Always remove the plug from the electrical socket before clean or repair.

- 1) Never use water to cleaning the unit.
- 2) Always clean the hedge trimmer immediately after use. Brush the blade using a stiff nylon brush to remove any debris.
- 3) Always store the unit in a dry place.
- 4) Inspect the hedge trimmer before each use.
- 5) Have the unit professionally repaired if any damage occurs.
- 6) The blade rail should be cleaned and treated with fine oil after each use.
- 7) Use the blade guard for transportation and storage.

# TROUBLESHOOTING

Although your new cordless hedge trimmer is really easy to operate. If you do experience problems, check the following:

## 1. If trimmer will not operate

- Check battery pack assembly
- Charge the battery: Operation of the hedge trimmer is dependent upon sufficient charge in the battery pack.

**NOTE:** The battery pack will only fit into the charger with + to + and - to -. The charger will not operate at extremes of temperature.

The charger will get warm during charging but this is normal.

## 2. If the battery will not charge

Check to see if the battery is properly inserted into the charger base, and make sure the indicator light is on, if not check the plug and fuse connected with supply.

## 3. If the trimmer is not cutting properly

Check the condition of the blades, if the blade is blunt or damaged have them repaired by a qualified service agent.

## 4. If a fault is suspected return the trimmer to an authorized dealer for repair.

**NOTE:** There are no user serviceable parts in the trimmer.

If a fault is suspected return the trimmer to an authorized dealer for repair.

# ENVIRONMENTAL PROTECTION



Waste electrical products should not be disposed of with household waste. Please recycle where facilities exist. Check with your Local Authority or retailer for recycling advice.

# DECLARATION OF CONFORMITY

We,  
Positec Power Tools (Europe) Ltd,  
PO Box 6242, Newbury, RG14 9LT, UK

Declare that the product

Description **Battery-powered Hedge Trimmer**

Type **CHT18LW (CHT- designation of machinery, representative of Hedge Trimmer)**

Function **trimming hedges and brushes**

Complies with the following Directives:

**2006/42/EC, 2014/30/EU, 2011/65/EU, 2000/14/EC amended by 2005/88/EC**

2000/14/EC amended by 2005/88/EC:

- Conformity Assessment Procedure as per **Annex V**
- Measured Sound Power Level **95dB(A)**
- Declared Guaranteed Sound Power Level **98dB(A)**

Standards conform to

**EN 60745-1, EN 60745-2-15, EN ISO 3744, EN 55014-1, EN 55014-2**

The person authorized to compile the technical file:

Name **Jim Kirkwood**

Address **Positec Power Tools (Europe) Ltd,  
PO Box 6242, Newbury, RG14 9LT, UK**



2017/11/24

Allen Ding

Deputy Chief Engineer, Testing & Certification

Positec Technology (China) Co., Ltd

18, Dongwang Road, Suzhou Industrial

Park, Jiangsu 215123, P. R. China







