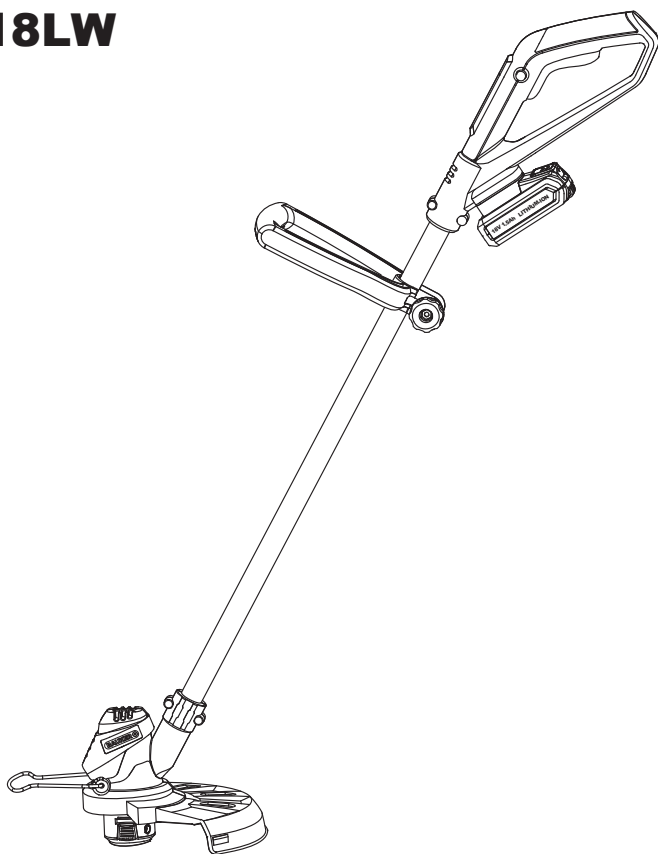




CGT18LW



**18V GRASS TRIMMER
ORIGINAL INSTRUCTION MANUAL**

PRODUCT SAFETY

GENERAL SAFETY WARNINGS



WARNING! Read all safety warnings and all instructions. Failure to follow the warnings and instructions may result in electric shock, fire and/or serious injury.

Save all warnings and instructions for future reference.

The appliance is only to be used with the power supply unit provided with the appliance.

IMPORTANT READ CAREFULLY BEFORE USE KEEP FOR FUTURE REFERENCE

Safe operating practices

1. Training

- a) Read the instructions carefully. Be familiar with the controls and the correct use of the machine.
- b) Never allow children, persons with reduced physical, sensory or mental capabilities or lack of experience and knowledge or people unfamiliar with these instructions to use the machine, local regulations may restrict the age of the operator.
- c) Keep in mind that the operator or user is responsible for accidents or hazards occurring to other people or their property.

2. Preparation

- a) Before use, always visually inspect the machine for damaged, missing or misplaced guards or shields.
- b) Never operate the machine while people, especially children, or pets are nearby.

3. Operation

- a) Wear eye protection, long trousers and stout shoes at all times while operating the machine.
- b) Avoid using the machine in bad weather conditions especially when there is a risk of lightning.
- c) Use the machine only in daylight or good artificial light.
- d) Never operate the machine with damaged guards or shields or without guards or shields in place.

- e) Switch on the motor only when the hands and feet are away from the cutting means.
- f) Always disconnect the machine from the power supply (e.g. remove the battery pack from the machine)
 - 1) whenever the machine is left unattended;
 - 2) before clearing a blockage;
 - 3) before checking, cleaning or working on the machine;
 - 4) after striking a foreign object;
 - 5) whenever the machine starts vibrating abnormally.
- g) Take care against injury to feet and hands from the cutting means.
- h) Always ensure that the ventilation openings are kept clear of debris.
- i) Never fit metal cutting elements.
- j) Always be sure of your footing on slopes.
- k) Walk, never run.
- l) Not overreach and keep the balance at all times.
- m) Not to touch moving hazardous parts before removing the battery pack from the machine and the moving hazardous parts have come to a complete stop.

4. Maintenance and storage


- a) Disconnect the machine from the power supply (e.g. remove the battery pack from the machine) before carrying out maintenance or cleaning work.
- b) Use only the manufacturer's recommended replacement parts and accessories.
- c) Inspect and maintain the machine regularly. Have the machine repaired only by an authorized repairer.
- d) When not in use, store the machine out of the reach of children.

Safety Warnings for battery pack

- a) **Do not dismantle, open or shred cells or battery pack.**
- b) **Do not short-circuit a battery pack. Do not store battery packs haphazardly in a box or drawer where they may short-circuit each other or be short-circuited by conductive materials.** When battery pack is not in use, keep it away from other metal objects, like paper clips, coins, keys, nails, screws or other small metal objects, that can make a connection from one terminal to another. Shorting the battery terminals together may cause burns or a fire.
- c) **Do not expose battery pack to heat or fire. Avoid storage in direct sunlight.**

- d) Do not subject battery pack to mechanical shock.
- e) In the event of battery leaking, do not allow the liquid to come into contact with the skin or eyes. If contact has been made, wash the affected area with copious amounts of water and seek medical advice.
- f) Seek medical advice immediately if a cell or battery pack has been swallowed.
- g) Keep battery pack clean and dry.
- h) Wipe the battery pack terminals with a clean dry cloth if they become dirty.
- i) Battery pack needs to be charged before use. Always refer to this instruction and use the correct charging procedure.
- j) Do not maintain battery pack on charge when not in use.
- k) After extended periods of storage, it may be necessary to charge and discharge the battery pack several times to obtain maximum performance.
- l) Battery pack gives its best performance when it is operated at normal room temperature ($20\text{ }^{\circ}\text{C} \pm 5\text{ }^{\circ}\text{C}$).
- m) When disposing of battery packs, keep battery packs of different electrochemical systems separate from each other.
- n) Recharge only with the charger specified by the manufacturer. Do not use any charger other than that specifically provided for use with the equipment. A charger that is suitable for one type of battery pack may create a risk of fire when used with another battery pack.
- o) Do not use any battery pack which is not designed for use with the equipment.
- p) Keep battery pack out of the reach of children.
- q) Retain the original product literature for future reference.
- r) Remove the battery from the equipment when not in use.
- s) Dispose of properly.

General Safety Warnings for battery charger

 **WARNING!** Read all safety warnings and all instructions. Failure to follow the warnings and instructions may result in electric shock, fire and/or serious injury.

Save all warnings and instructions for future reference.

This appliance can be used by children aged from 8 years and above and persons with reduced physical, sensory or mental capabilities or lack of experience and knowledge if they have been given supervision or instruction concerning use of the appliance in a safe way and understand the hazards involved. Children shall not play with the appliance. Cleaning and user maintenance shall not be made by children without supervision.

If the supply cord is damaged, it must be replaced by the manufacturer, its service agent or similarly qualified persons in order to avoid a hazard.

Additional safety instructions for your Battery Charger

1. Before charging, read the instructions.
2. Do not charge a leaking battery.
3. Do not use chargers for works other than those for which they are designed.
4. Before charging, ensure your charger is matching the local AC supply.
5. For indoor use, or do not expose to rain.
6. The charging device must be protected from moisture.
7. Do not use the charging device in the open.
8. Do not short out the contacts of battery or charger.
9. Respect the polarity “+/-“ when charging.
10. Do not open the unit and keep out of the reach of children.
11. Do not charge the batteries of other manufactures or ill-suited models.
12. Ensure that the connection between the battery charger and battery is correctly positioned and is not obstructed by foreign bodies.
13. Keep battery charger's slots are free of foreign objects and protect against dirt and humidity. Store in a dry and frost-free place.
14. When charging batteries, ensure that the battery charger is in a well-ventilated area and away from inflammable materials. Batteries can get hot during charging. Do not overcharge any batteries. Ensure that batteries and chargers are not left unsupervised during charging.
15. Do not recharge non-rechargeable batteries, as they can overheat and break.
16. Longer life and better performance can be obtained if the battery pack is charged when the air temperature is between 18°C and 24°C. Do not charge the battery pack in air temperatures below 4.5°C, or above 40.5°C. This is important as it can prevent serious damage to the battery pack.
17. Charge only battery pack of the same model provided by the manufacturer and of models recommended by manufacturer.

SYMBOLS



Read operator's manual



Keep bystanders away



Wear eye and ear protection



Do not expose to rain



Waste electrical products must not be disposed of with household waste. Please recycle where facilities exist. Check with your local authorities or retailer for recycling advice.



Warning



Li-Ion



Do not dispose of batteries. Return exhausted batteries to your local collection or recycling point.



Do not burn



Do not expose to rain or water



For indoor use only



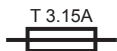
Positive terminal



Negative terminal



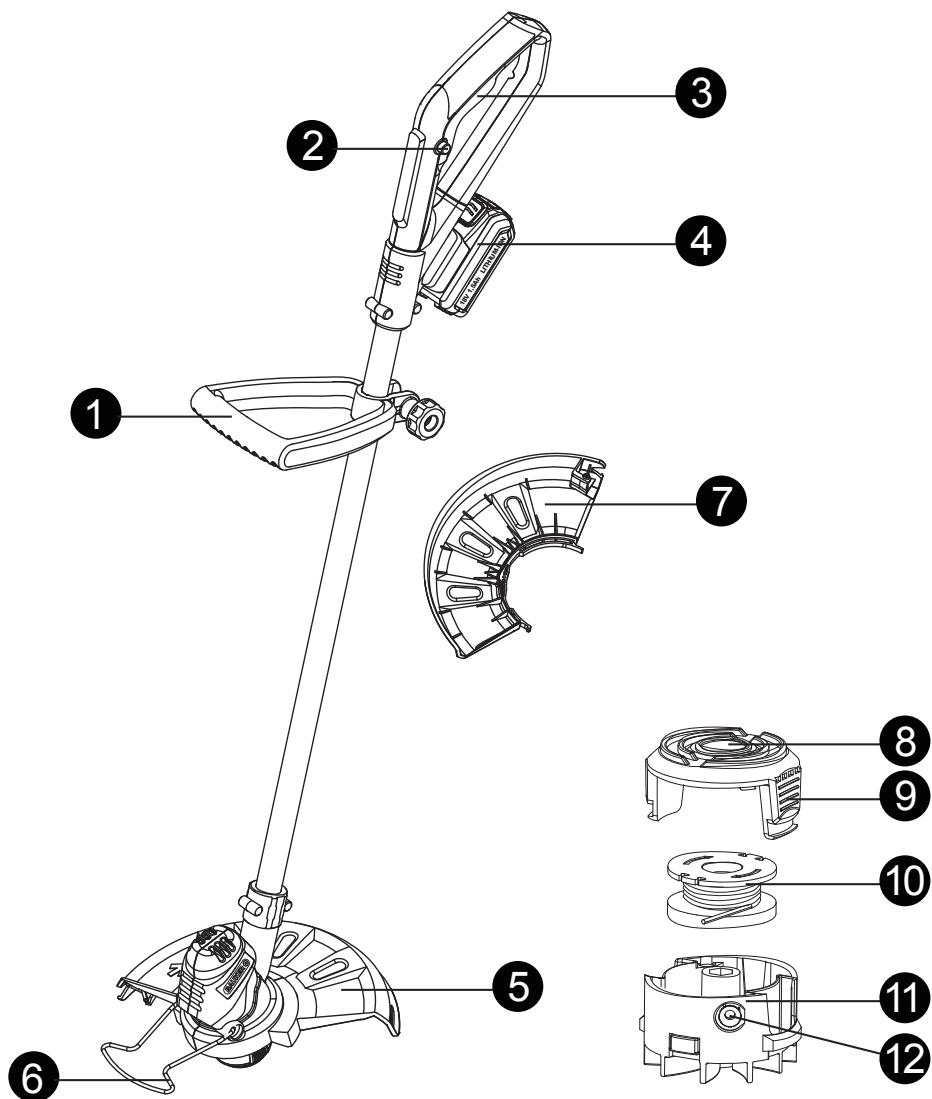
Double insulation

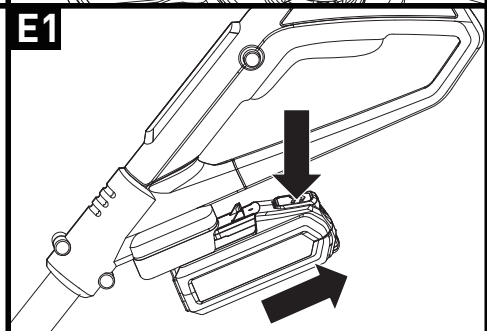
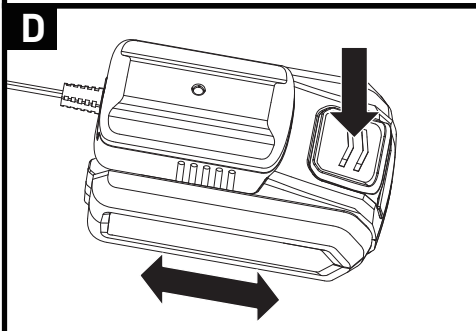
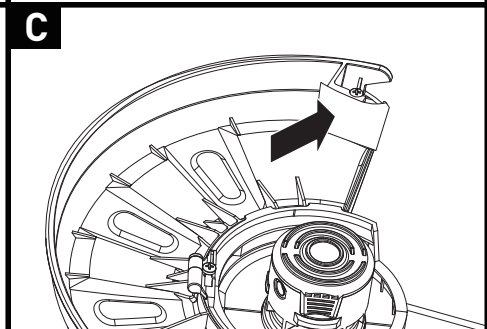
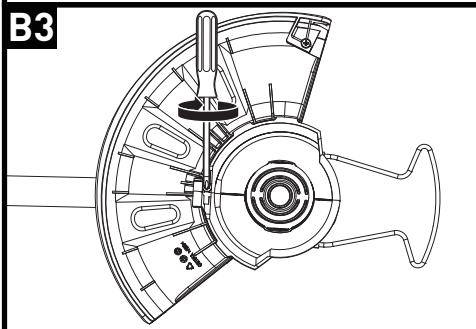
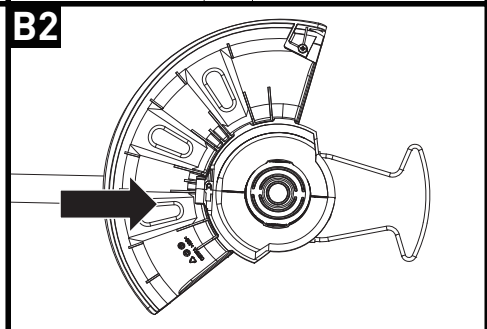
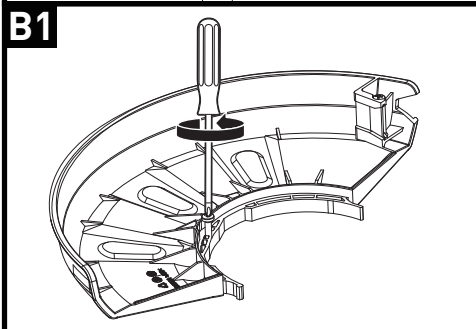
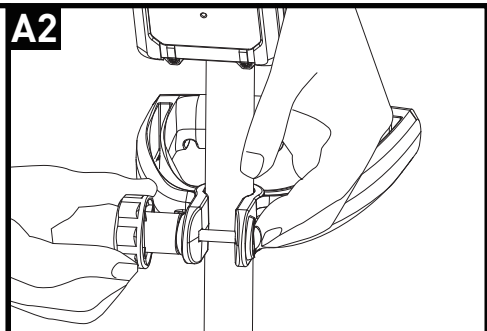
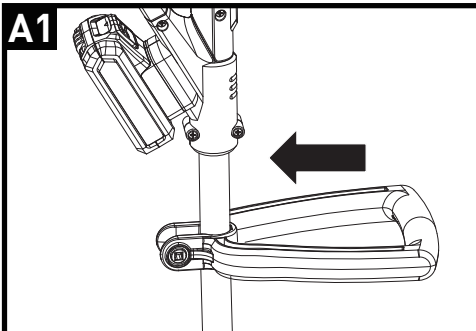


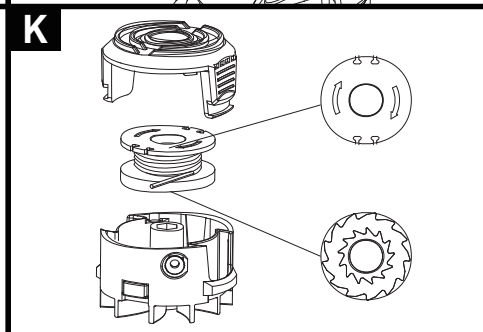
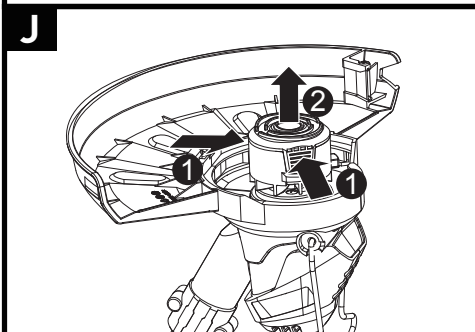
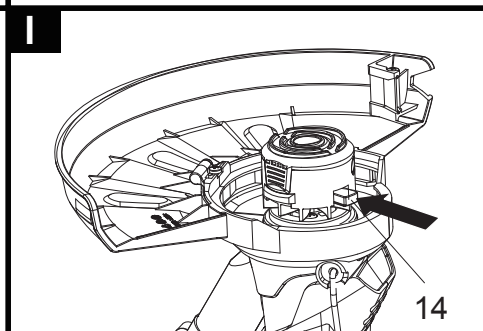
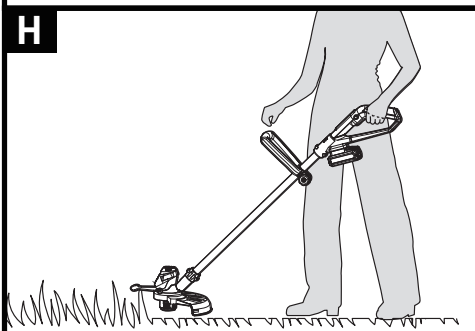
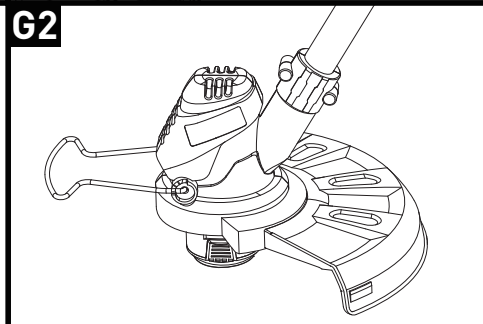
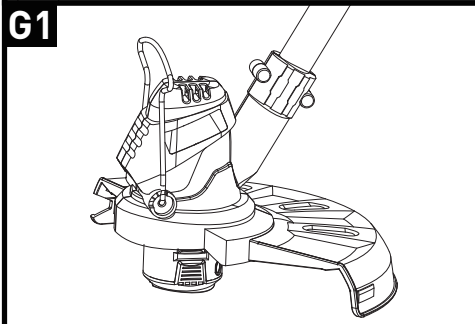
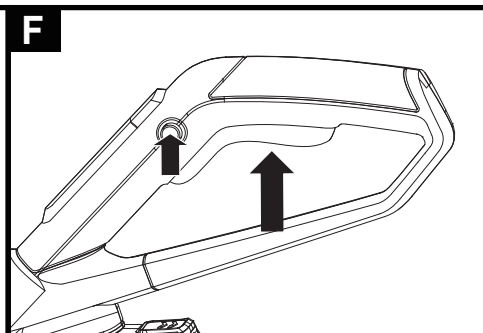
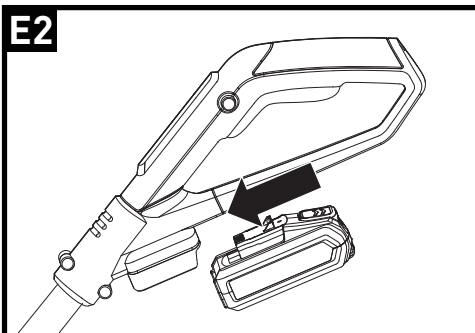
Fuse

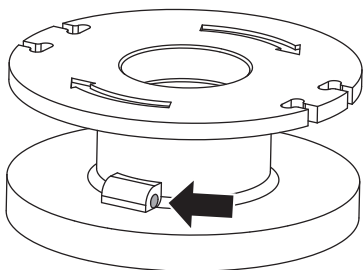
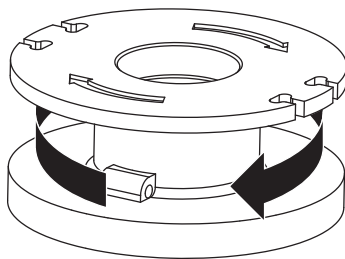
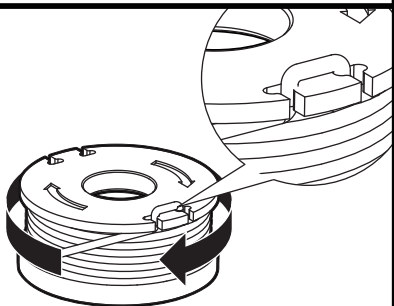


Trimming







L1**L2****L3**

COMPONENT LIST

1. AUXILIARY HANDLE

2. LOCK OFF BUTTON

3. ON/OFF SWITCH

4. BATTERY PACK

5. SAFETY GUARD

6. FLOWER GUARD

7. LINE CUTTER

8. SPOOL COVER

9. CAP RELEASE LATCH

10. SPOOL

11. TRIMMER HEAD

12. EYELET

13. MAIN HANDLE

14. LINE FEED BUTTON (SEE FIG. I)

Not all the accessories illustrated or described are included in standard delivery.

TECHNICAL DATA

Type CGT18LW (CGT-designation of machinery, representative of Battery- powered Lawn Trimmer)

Charger voltage	220-240V~ 50/60Hz
Voltage	18V ---
Charger input power	37 W
Battery capacity	1.5 Ah Li-ion
No Load Speed	8500/min
Cutting Diameter	250 mm
Line Diameter	1.65 mm
Charging time	1 hr
Machine Weight	1.91 kg
Charger Protection class	□/II

ACCESSORIES

Charger	1(ACG118W)
Battery pack	1(ABP118W1)
Safety guard	1
Auxiliary handle	1
Flower guard	1

We recommend that you purchase your accessories listed in the above list from the same store that sold you the lawn trimmer. Refer to the accessory packaging for further details. Store personnel can assist you and offer advice.

Noise Data

A weighted sound pressure

$L_{pA} = 77\text{dB(A)}$

$K_{pA} = 3.0\text{dB(A)}$

A weighted sound power

$L_{wA} = 92\text{dB(A)}$


$K_{wA} = 3.0\text{dB(A)}$

Wear ear protection. 

Vibration Information

Typical weighted vibration $a_h = 2.5\text{m/s}^2$ Uncertainty $K = 1.5\text{m/s}^2$

The declared vibration total value may be used for comparing one tool with another, and may also be used in a preliminary assessment of exposure.

 **WARNING!** The vibration emission value during actual use of the power tool can differ from the declared value depending on the ways in which the tool is used dependant on the following examples and other variations on how the tool is used:

How the tool is used and the materials being cut or drilled.


The tool being in good condition and well maintained

The use the correct accessory for the tool and ensuring it is sharp and in good condition.

The tightness of the grip on the handles and if any anti vibration accessories are used.

And the tool is being used as intended by its design and these instructions.

This tool may cause hand-arm vibration syndrome if its use is not adequately managed

 **WARNING!** To be accurate, an estimation of exposure level in the actual conditions of use should also take account of all parts of the operating cycle such as the times when the tool is switched off and when it is running idle but not actually doing the job. This may significantly reduce the exposure level over the total working period.

Helping to minimise your vibration exposure risk.

ALWAYS use sharp chisels, drills and blades

Maintain this tool in accordance with these instructions and keep well lubricated (where appropriate)

If the tool is to be used regularly then invest in anti vibration accessories.

Plan your work schedule to spread any high vibration tool use across a number of days.

OPERATING INSTRUCTIONS



NOTE: Before using the tool, read the instruction book carefully.

Intended Use

The machine is intended for the cutting of grass and weeds under bushes, as well as on slopes and edges that cannot be reached with the lawn mower.

1. ASSEMBLY OF AUXILIARY HANDLE (SEE FIG. A1, A2)

Insert the shaft onto the upper housing. Hand grabbing area should face down(See A1). Attach the screw to the housing unit, and then to the knob. Finally, rotate the knob until it is hand tight. (See Fig. A2).

NOTE: Make sure that the handle is firmly locked in place.

2. ASSEMBLY OF THE SAFETY GUARD (SEE FIG. B1-B3)

Remove the screw (a) from the guard. (See B1) Attach the safety guard to the trimmer head. Align the guard so it slides into the slots located on the trimmer head.(See B2) Secure the safety guard onto the trimmer head with the screw (a). (See B3)

3. REMOVING THE BLADE PROTECT LABEL (SEE FIG. C)

The blade is covered with a protect label. Please remove it before operation.

OPERATION INSTRUCTIONS



WARNING! The charger and battery pack are specially designed to work together so do not attempt to use any other devices. Never insert or allow metallic objects into your charger or battery pack connections because of an electrical failure and hazard will occur.

BEFORE PUTTING INTO OPERATION

A) CHARGING THE BATTERY (SEE FIG. D)

NOTE:

- Do not use any charger other than that specifically provided for use with the equipment.
- If the battery pack is very hot you must remove your battery pack from the charger and allow time for the battery to cool down before recharging.
- The battery in your new tool is not charged when it leaves the plant. Therefore it must be full charged before using the first time
- Please charge the battery to reach full or no less than half charge before storage. If the tool will not be used for long periods of time, charge the battery every 3-6 months

CHARGING PROCEDURE





- Plug the charger into an appropriate outlet. The light will be green.
- Slide the battery pack into the charger, the light will turn to red to indicate the charging process has started.
- When charging is completed, the light will turn to green. The pack is now fully charged, unplug the charger and remove the battery pack.



WARNING! When battery charge runs out after continuously use or exposure to direct sunlight or heat, allow time for the tool to cool down before re-charging to achieve the full charge.

CHARGING INDICATOR

This charger is designed to detect some problems that can arise with battery packs. Indicator lights indicate problems (see table below). If this occurs, insert a new battery pack to determine if the charger is OK. If the new battery charges correctly, then the original pack is defective and should be returned to a service center or recycling service center. If the new battery pack displays the same problem as the original Battery Pack, have the charger tested at an authorized service center.

Light	Status
Red on  	Charging
Green on  	Fully Charged
Light off	Defective Battery


3. TO REMOVE OR INSTALL BATTERY PACK (SEE FIG E1, E2)

Depress the battery release button to release battery pack from your trimmer (Fig.E1). After recharging, insert the battery pack into trimmer's battery port (Fig.E2). A simple push and slight pressure will be sufficient until a click is heard.


Note: When removing the battery pack, hold it firmly to avoid dropping and injury potential accidents.

4. SAFETY ON/OFF SWITCH (SEE FIG. F)


The safety switch is locked off to prevent accidental starting. Depress the lock-off button (2) then depress the on/off switch (3) and release lock off button. Your trimmer is now on. To switch off, just release the on/off switch.


 **WARNING!** The cutting head continues to rotate after the trimmer has been switched off; wait until it has completely stopped then lay down the tool.

OPERATION

 **WARNING!** Always wear the eye protection. Never lean over the trimmer head. Rocks or debris can ricochet or be thrown into eyes and face and cause blindness or other serious injury. When operating unit, check for the following:

Wear eye protection and heavy clothing. Hold front handle with one hand and auxiliary handle with the other hand. Keep unit below waist level. Work only from your right to your left to ensure debris is thrown away from you. Without bending over, keep line near and parallel to the ground (perpendicular when edging) and not crowded into material being cut.

 **WARNING!** Make sure that line is fed out before operation. Make sure motor is up to full speed before trimming

 **WARNING!** Use only 0.065" (1.65 mm) diameter cutting line. Other sizes of line will not feed properly and will result in improper cutting head function or can cause serious injury. Do not use other material such as wire, string, rope, etc. Wire can break off during cutting and become a dangerous projectile that can cause serious injury.

Flower Guard (SEE FIG. G1, G2)

Push the Flower Guard (6) out before trimming, as shown in Fig G1, G2.

Trimming (SEE FIG. H)

Trimming

Position the trimmer head as shown in Fig H for trimming.

Keep the bottom of the trimmer head just above the ground and at an angle. Allow only the tip of line to make contact. Do not force trimmer line into work area .

AUTOMATIC LINE FEED SYSTEM

When initially switching on the trimmer, a small length of line is fed out. A 'clattering' noise will be heard when the lines hit the line cutter. DO NOT BE ALARMED this is quite normal. After about 5 seconds the line will be cut to the correct length and the noise will reduce as the motor receives full speed.

If the noise of the line being cut can't be heard, more line will be fed out. To feed more line, it is first necessary to allow the trimmer to stop completely, and then restart, allowing the motor to reach full speed.

Repeat above until you hear the lines hitting against the line cutter. (Do not repeat this procedure more than 6 times)

5. TO MANUALLY FEED THE LINE (SEE FIG. I)

If required, line can be fed out manually. Before manually feed, remove the battery first. To operate, press and release manual line feed button (14), while gently pulling out the lines until the lines reach the line cutter. If the line extends past the line cutter, too much line has been fed out. If too much line is fed out, remove the spool cap and turn spool counter-clockwise until the line is at the desired length.

To remove the cap

Press and hold in the two latches (See Fig. J). Pull cap away from the spool holder. When refitting the spool cap. Keep all areas of the cap and spool holder clean. Replace the cap, pressing firmly down towards the spool holder to ensure cap is fully located. Check that the cap is correctly fitted by trying to remove it without depressing the two latches.

To changing the spool (SEE FIG. K)

NOTE: For your convenience it is recommended you buy replacement spools with the trimmer line preinstalled.

Remove Spool Cap Cover. **Remove the old Spool from Spool Holder. Clear any broken line or cutting debris from the spool area. Pull the line from the new replacement Spool through the eyelet of the Spool Holder. Place new Spool into the holder with the cut out areas of the Spool facing inward or down. When installed into the Spool Holder, the smooth side of the Spool should be visible. Release line from cleat on the Spool. Refit the Spool Cap Cover.**

To Manually Wind line (See Fig L1-L3)

Important! Your trimmer is designed to use only line with a maximum diameter of 1.65mm.

Take approximately 3m of line. Insert 15mm of line into the spool holes and wind line in the direction of the arrows on the top of the spool. (See Fig. L1, L2) Leave approximately 100mm of line unwound and place it into the cleat. Care should be taken to ensure that the line is neatly coiled on the spool. (See Fig. L3) Failure to do so will impair the efficiency of the automatic line feed. Then fit the spool as described above in "To changing the Spool".

STORING YOUR GRASS TRIMMER

Always remove the battery pack from your trimmer after use.

Store in a dry place where the trimmer and battery can be protected from damage.

MAINTENANCE

Remove the battery before carrying out any adjustment, servicing or maintenance.

Your power tool requires no additional lubrication or maintenance. There are no user serviceable parts in your power tool. Never use water or chemical cleaners to clean your power tool. Wipe clean with a dry cloth. Always store your power tool in a dry place. Keep the motor ventilation slots clean.

Keep all working controls free of dust. Occasionally you may see sparks through the ventilation slots. This is normal and will not damage your power tool.

If the charger supply cord is damaged, it must be replaced by the manufacturer, its service agent or similarly qualified persons in order to avoid a hazard.

TROUBLESHOOTING

The following table gives checks and actions that you can perform if your machine does not operate correctly. If these do not identify and correct the problem, contact your service agent.



WARNING! Switch the machine off and remove the battery prior to any troubleshooting.

Problems	Possible Causes	Corrective Action
Trimmer fails to operate.	Battery discharged. Battery too hot/cold. Motor is broken. Internal wiring of machine damaged.	Recharge battery; also see the content in charger manual Allow to cool/warm. Contact Service Agent. Contact Service Agent.
Trimmer runs intermittently.	Motor is broken. Battery not fully charged. On/Off switch defective.	Contact Service Agent. Recharge battery. Contact Service Agent.
Excessive vibrations/ noise.	Machine defective. Line spool is not wound well.	Contact Service Agent. Rewind the line. See " To fit spool and line assembly."
Cutting time per battery charge too low.	Battery has not been used for long period or only charged for short term. Grass too high. Battery defective.	Fully charge battery; also see the content in charger manual Cut in stages. Replace the battery.
Machine does not cut.	Line broken. Battery not fully charged. Motor is broken (speed is too low). Grass entangled around cutting head.	Replace the line. Recharge battery; also see the content in charger manual Contact Service Agent. Remove grass.
Continuous lighting of the battery charge indicator No charging procedure possible.	Battery not (properly) inserted. Battery contacts contaminated. Battery defective.	Properly insert battery into battery charger. Clean the battery contacts (e.g. by inserting and removing the battery several times) or replace the battery. Replace the battery.
Battery charge indicator does not light up.	Plug of battery charger not plugged in (properly). Socket outlet, mains cable or battery charger defective.	Insert mains plug (fully) into the socket outlet. Check the mains voltage; have the battery charger checked by an authorized after-sales service agent.
Auto feed does not work.	Cutting line is not wound well. The line is tangled. Line is used up.	Manually feed the line, if still can not feed out, remove the spool out and rewind the line. Replace with a new line spool.

ENVIRONMENTAL PROTECTION



Waste electrical products should not be disposed of with household waste. Please recycle where facilities exist. Check with your Local Authority or retailer for recycling advice.

DECLARATION OF CONFORMITY

We,
Positec Power Tools (Europe) Ltd,
PO Box 6242, Newbury, RG14 9LT, UK

Declare that the product,

Description **Battery-powered Lawn trimmer/edger trimmer**

Type **CGT18LW (CGT-designation of machinery, representative of Battery- powered Lawn Trimmer)**

Function **Cutting grass and similar soft vegetation and for trimming grass edges**

Complies with the following Directives,

2014/35/EU, 2006/42/EC, 2014/30/EU, 2011/65/EU, 2000/14/EC amended by 2005/88/EC

2000/14/EC amended by 2005/88/EC:

- Conformity Assessment Procedure as per **Annex VI**

- Measured Sound Power Level **92dB (A)**

- Declared Guaranteed Sound Power Level **96dB (A)**

The notified body involved

Name: Intertek Testing & Certification Ltd (notified body 0359)

Address: Davy Avenue, Knowlhill, Milton Keynes, MK5 8NL

Standards conform to

EN 60335-1, EN 50636-2-91, EN 62233, EN ISO 3744, EN 55014-1, EN 55014-2

EN 60335-2-29, EN 61000-3-2, EN 61000-3-3

The person authorized to compile the technical file:

Name **Jim Kirkwood**

Address **Positec Power Tools (Europe) Ltd,**

PO Box 6242, Newbury, RG14 9LT, UK



2017/11/24

Allen Ding

Deputy Chief Engineer, Testing & Certification

Positec Technology (China) Co., Ltd

18, Dongwang Road, Suzhou Industrial

Park, Jiangsu 215123, P. R. China

